

NOTES:

1. MATERIAL:

- 1.1 HOUSING: HIGH TEMP.,UL94V-0;
- 1.2 CONTACT: HIGH CONDUCTIVITY COPPER ALLOY
- 1.3 GROUND PIN: STAINLESS STEEL
- 1.4 RFI PAD: STAINLESS STEEL
- 1.5 OUTER SHELL: STAINLESS STEEL
- 1.6 INNER SHELL: STAINLESS STEEL

2. FINISH:

2.1 CONTACT:

- D.30" Au ON CONTACT FOR LEAD FREE.
- 50~100u" NICKEL UNDERPLATING OVERALL.
- SOLDER TAILS: TIN 100u" MIN. OVER NICKEL.

2.2 GROUND PIN & RFI PAD & SHELL :

- 50u" MIN NICKEL UNDERPLATING OVERALL.

3. TRANSMISSION SPEED SUPPORT GEN1

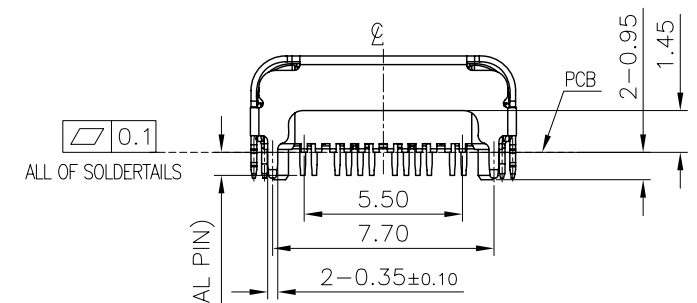
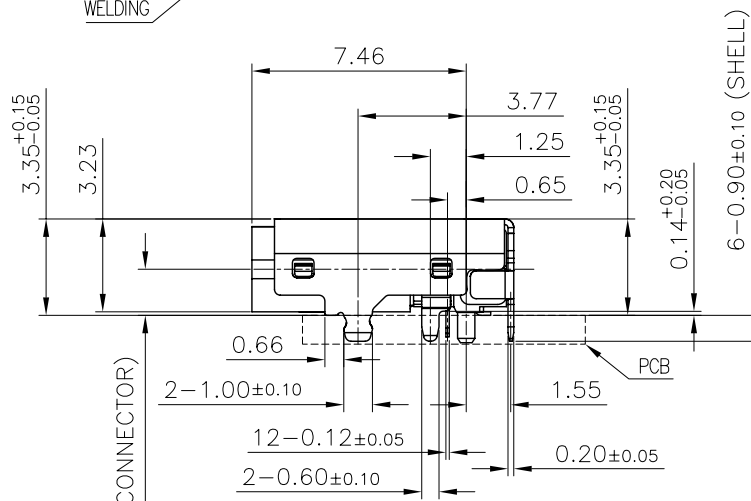
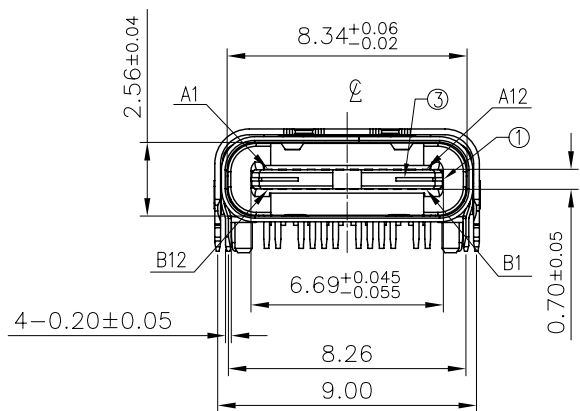
4. SPEC. PLS. REFER TO PS-55907-xxxxx-xxx

5. PACKAGE PLS REFER TO 55940-xxxxx-xx-TRP

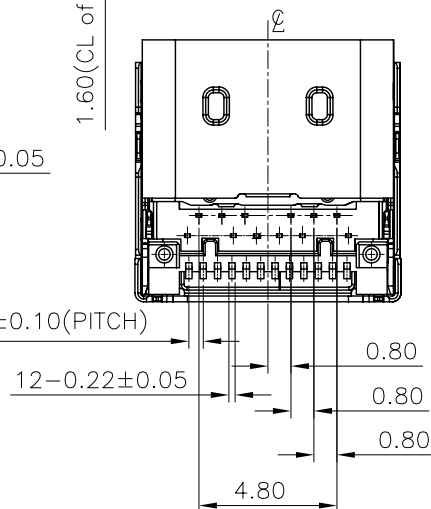
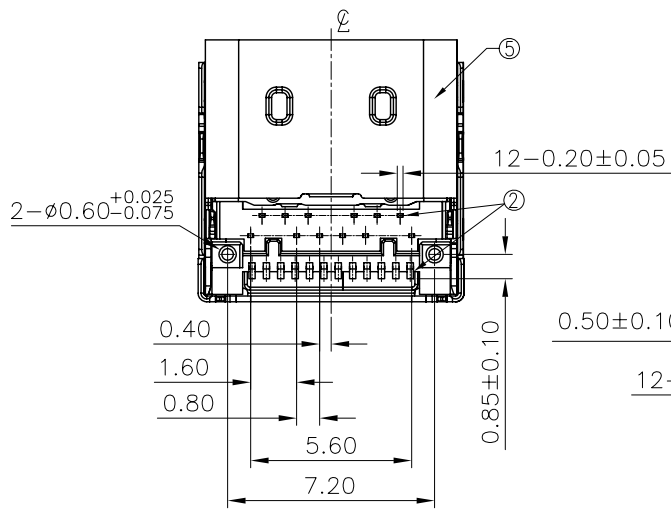
6. PART NUMBER

55940-024 X X-XXX

NO OF CKT \_\_\_\_\_ 002:Without RF  
 PACKING \_\_\_\_\_ PLATING  
 O: TAPE & REEL D: 30u" Au



A12	GND	B1	GND
A11	SSRXp2	B2	SSTXp2
A10	SSRXn2	B3	SSTXn2
A9	VBUS	B4	VBUS
A8	SUB1	B5	CC2
A7	Dn1	B6	Dp2
A6	Dp1	B7	Dn2
A5	CC1	B8	SUB2
A4	VBUS	B9	VBUS
A3	SSTXn1	B10	SSRXn1
A2	SSTXp1	B11	SSRXp1
A1	GND	B12	GND
PIN	SIGNAL NAME	PIN	SIGNAL NAME



5	INNER SHELL	1
4	OUTER SHELL	1
3	GROUND PLATE	1
2	CONTACT	24
1	HOUSING	1
ITEM	DESCRIPTION	Q'TY

一般公差  
 TOLERANCES  
 X ±0.50 .XX ±0.15  
 X ±0.25 .XXX ±0.10  
 ANGLES ±1°

檢驗尺寸標示  
 SYMBOLS ⊕ ⊗ INDICATE CLASSIFICATION DIMENSION  
 ⊕ MARK IS CRITICAL DIM.  
 ⊗ MARK IS MAJOR DIM.  
 表面處理 (FINISH)

宏致電子股份有限公司  
 Aces Electronics Co.,Ltd.

品名 (TITLE)  
 USB3.1 On-mount C Type  
 REC ASSY (T/H R/A)

製圖 (DR)  
 17/07/27 JUGG

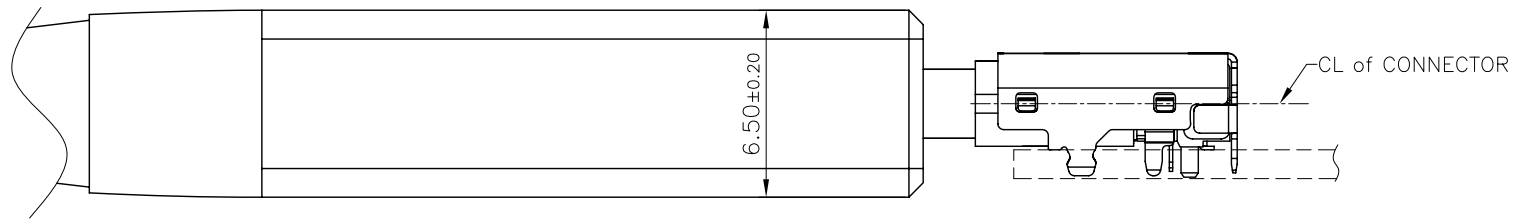
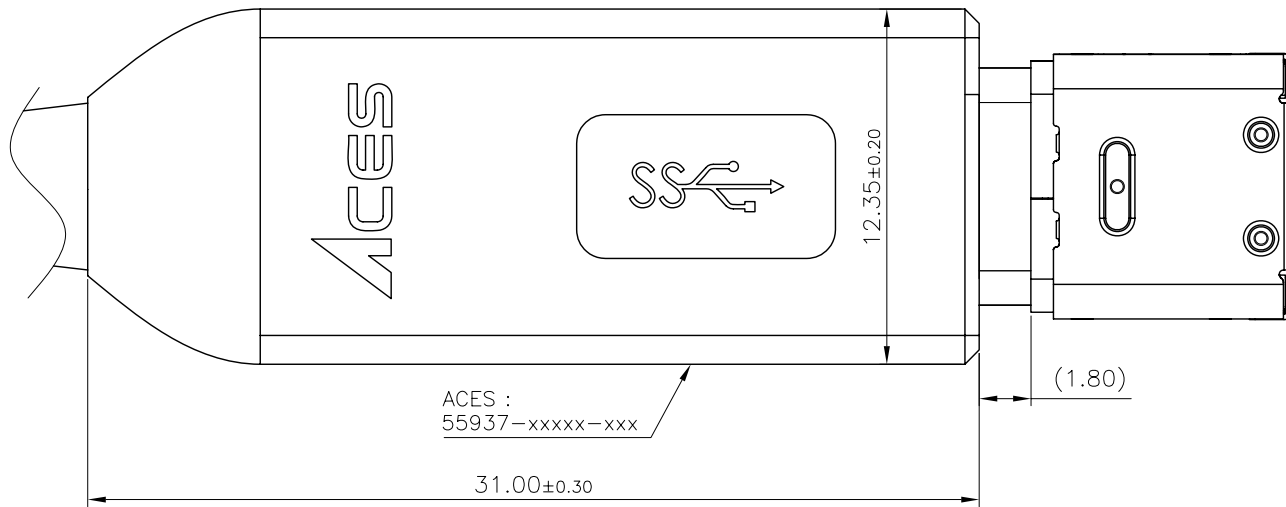
審核 (CHKD)  
 BRAVE

核准 (APPD)  
 FRANK

圖號 (DWG.NO)  
 55940-024XX-002

比例 (SCALE) 單位 (UNITS)  
 4:1 mm

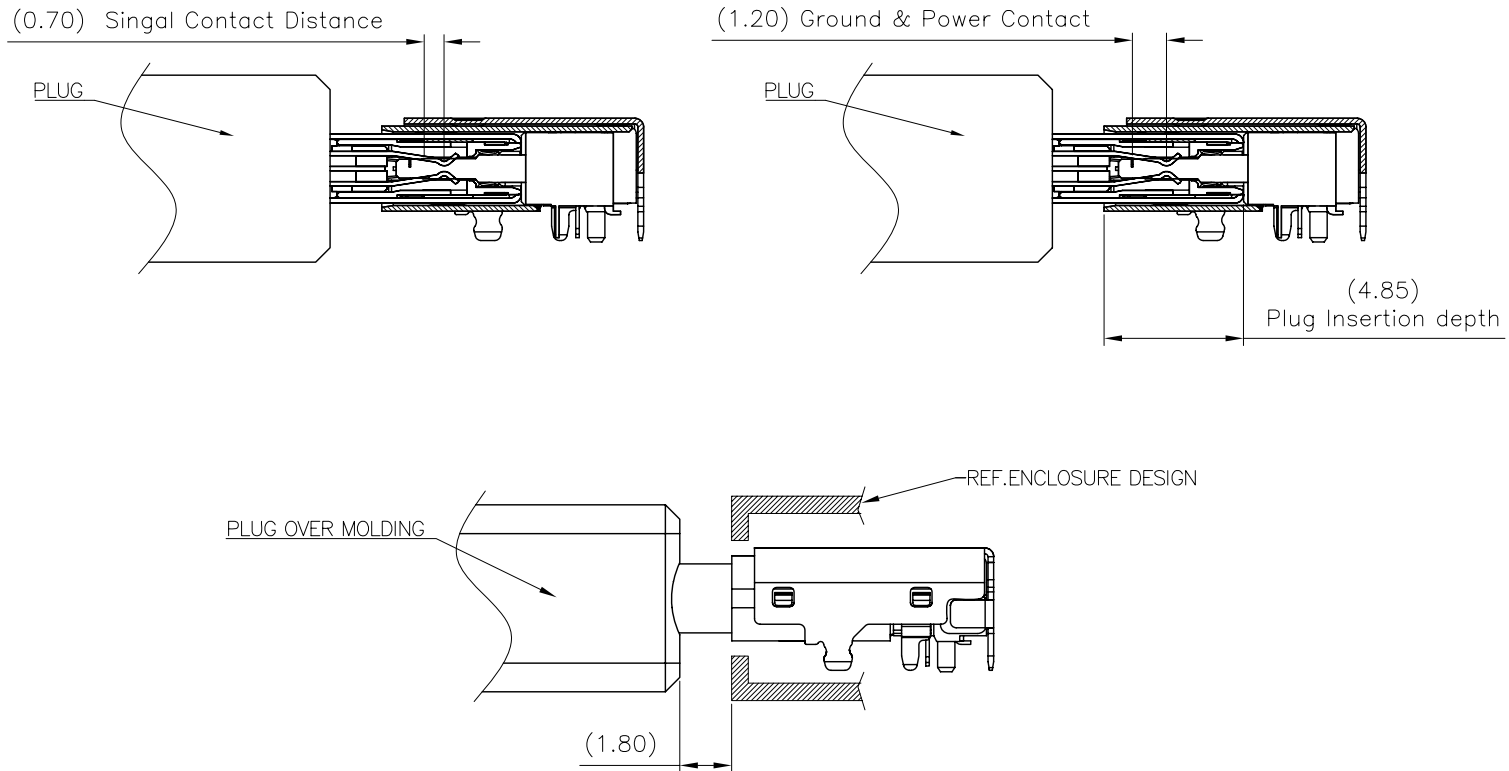
張數 (SHEET) 1 OF 4  
 SIZE A4  
 REV A



一般公差 <b>TOLERANCES</b> X ±0.50 .XX ±0.15 X ±0.25 .XXX ±0.10 ANGLES ±1°		<b>宏致電子股份有限公司</b> Aces Electronics Co.,Ltd.	
檢驗尺寸標示 <b>SYMBOLS</b> <b>INDICATE CLASSIFICATION DIMENSION</b>	品名 (TITLE) USB3.1 On-mount C Type REC ASSY (T/H R/A)	製圖 (DR) 17/07/27 JUGG	審核 (CHKD) BRAVE
<b>MARK IS CRITICAL DIM.</b> <b>MARK IS MAJOR DIM.</b>	圖號 (DWG.NO) 55940-024XX-002	核准 (APPD) FRANK	
表面處理 (FINISH)	比例 (SCALE) 4:1	單位 (UNITS) mm	張數 (SHEET) 2 OF 4
			尺寸 (SIZE) A4
			版數 (REV) A



# RECPT & PLUG MATING DRAWING



一般公差 <b>TOLERANCES</b> X ±0.50 .XX ±0.15 X ±0.25 .XXX ±0.10 ANGLES ±1°		<b>宏致電子股份有限公司</b> <b>Aces Electronics Co.,Ltd.</b>	
檢驗尺寸標示 <b>SYMBOLS</b> <b>INDICATE CLASSIFICATION DIMENSION</b>	品名 (TITLE) USB3.1 On-mount C Type REC ASSY (T/H R/A)	製圖 (DR) 17/07/27 審核 (CHKD) BRAVE	JUGG
<b>MARK IS CRITICAL DIM.</b> <b>MARK IS MAJOR DIM.</b>	圖號 (DWG.NO) 55940-024XX-002	核准 (APPD) FRANK	
表面處理 (FINISH)	比例 (SCALE) 4:1	單位 (UNITS) mm	
		張數 (SHEET) 3 OF 4	尺寸 (SIZE) A4 版次 (REV) A

